

# 1.8° Size 28mm High Torque Hybrid Stepping Motor

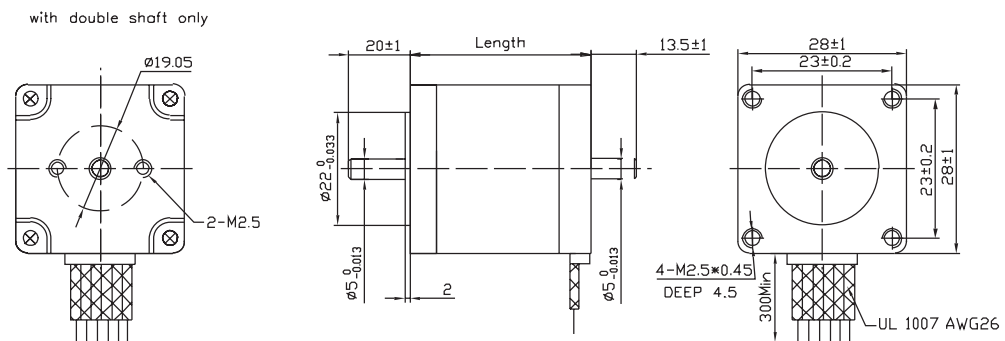
## ● General Specification for High Torque Hybrid Stepping Motor

Item	Specifications
Step Angle	1.8°
Step Angle Accuracy	+ 5% (full step, no load)
Resistance Accuracy	± 10%
Inductance Accuracy	+ 20%
Temperature Rise	80°C Max.(rated current,2 phase on)
Ambient Temperature	-20°C~+50°C
Insulation Resistance	100M Ω Min. ,500VDC
Dielectric Strength	500VAC for one minute
Shaft Radial Play	0.02Max. (450 g-load)
Shaft Axial Play	0.08Max. (450 g-load)
Max. radial force	28N (20mm from the flange)
Max. axial force	10N
Rotation	CW( See from Front Flange)

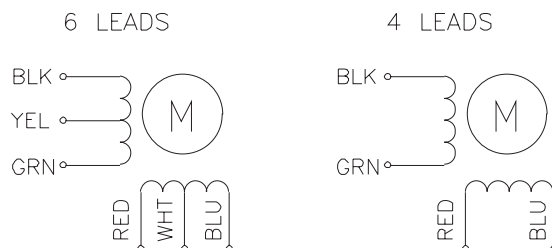
## ● Size 28mm High Torque Hybrid Stepping Motor Specifications

Model No.		Rated Voltage	Current /Phase	Resistance /Phase	Inductance /Phase	Holding Torque	# of Leads	Rotor Inertia	Weight	Length
Single Shaft	Double Shaft	V	A	Ω	mH	g. cm		kg-m <sup>2</sup>	kg	mm
FL28STH32-0956A	FL28STH32-0956B	2.66	0.95	2.8	1	430	6	9x10 <sup>-7</sup>	0.11	31.5
FL28STH32-0674A	FL28STH32-0674B	3.8	0.67	5.6	4.2	600	4			
FL28STH45-0956A	FL28STH45-0956B	3.4	0.95	3.4	1.2	750	6	12x10 <sup>-7</sup>	0.14	44.5
FL28STH45-0674A	FL28STH45-0674B	4.56	0.67	6.8	4.9	950	4			
FL28STH51-0956A	FL28STH51-0956B	4.4	0.95	4.6	1.8	900	6	18x10 <sup>-7</sup>	0.2	50.5
FL28STH51-0674A	FL28STH51-0674B	6.2	0.67	9.2	7.2	1200	4			

## ● Dimension



## ● Wiring Diagram:



## 1.8 Size 28mm High Torque Hybrid Stepping Motor

- Pull out torque:

